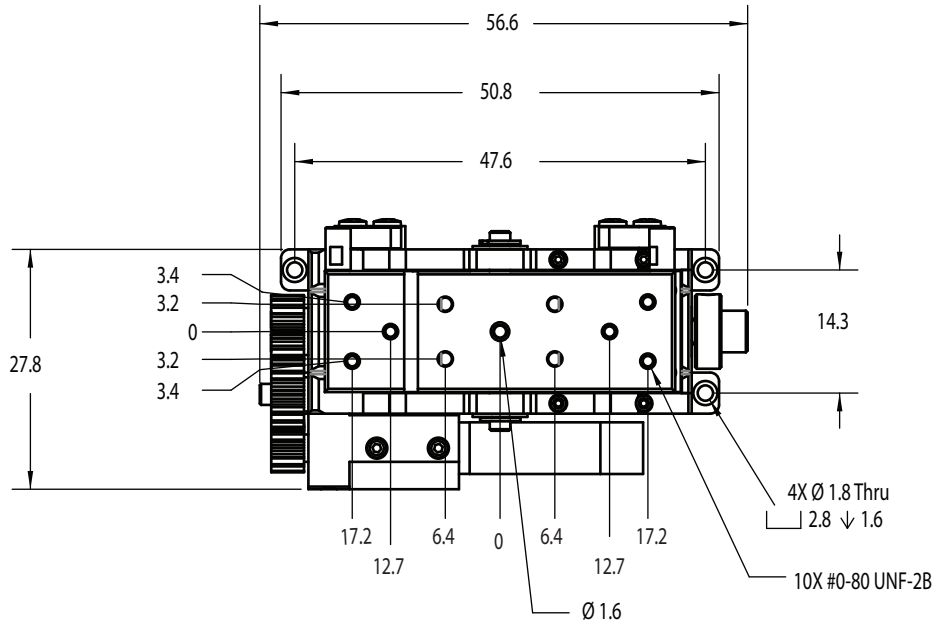




MM-3GF-42



Radius: 42mm

Max Speed

25 mrad/sec

15 deg/sec

Resolution

0.4 avg μ rad/count

2.0E-5 deg/count

0.07 arcsecond/count

