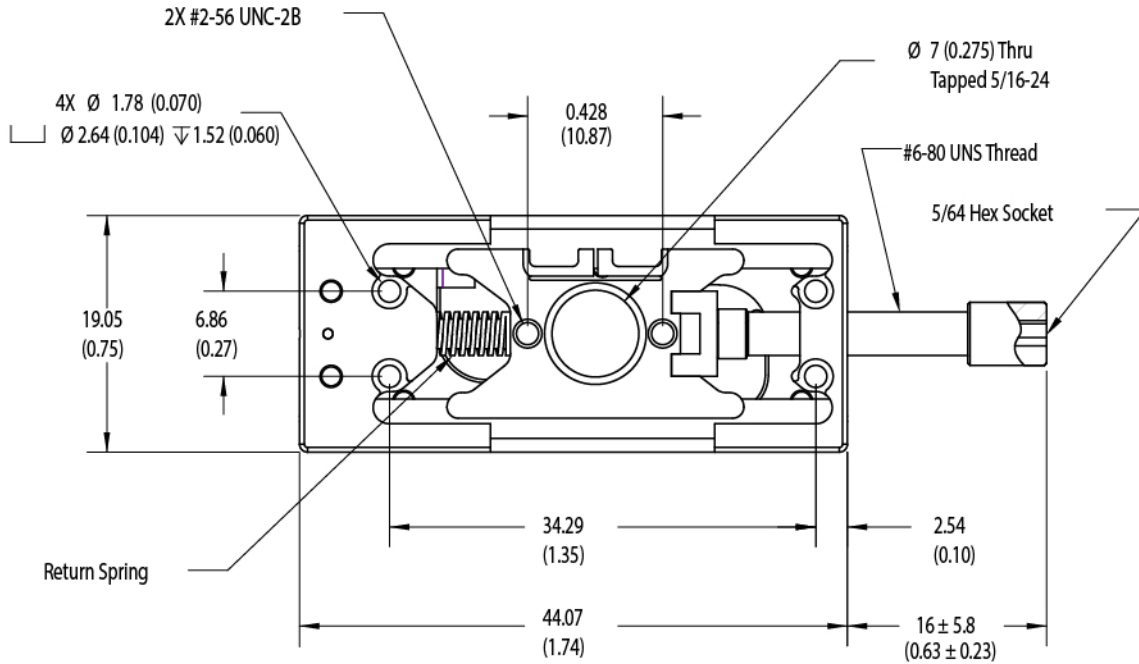
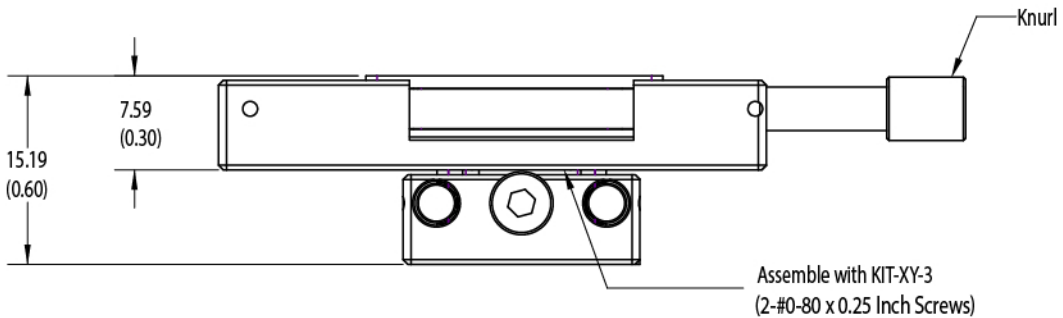




# MM-3CRD



**Top View**  
(X Axis Shown)



**Front View**  
(X-Y Axis Shown)